

INSTALLATION AND OPERATING INSTRUCTIONS

OWNERS MANUAL

MODEL FXM920 LOW VOLTAGE CONTROL CHAIR



SERIAL NUMBER

For your future reference, mark the serial number in the space provided.

QUALITY MANAGEMENT
SYSTEM
REGISTERED TO
ISO 9001:2000
ISO 13485:2003





TABLE OF CONTENTS

IMPORTANT INFORMATION.....	4	PARTS LIST.....	14
1. INTRODUCTION.....	5	Model FXM920 Chair Assembly.....	15
TECHNICAL SPECIFICATIONS.....	6	Chair Top Assembly.....	16
2. INSTALLATION.....	7	Chair Base Assembly.....	20
2.1. Unpacking.....	7	Lift Assembly.....	22
Chair.....	7	#26 Headrest Assembly.....	24
2.2. Assembly.....	7	Wiring Diagram - FXM920	28
Headrest.....	7	LIMITED WARRANTY.....	31
Power Receptacle.....	7		
3. OPERATION.....	7		
3.1. Stop Switch.....	7		
3.2. Chair Lift.....	8		
Raising & Lowering the Chair Lift with Membrane Switches.....	8		
Raising & Lowering the Chair Lift from the Footswitch.....	8		
3.3. Chair Top.....	9		
3.4. Revolving/Rotation.....	9		
3.5. Arm Movement.....	9		
3.6. Footrest.....	9		
3.7. Headrest.....	9		
Operation-No. 26 Headrest.....	9		
Adjustment-No. 26 Headrest.....	10		
4. LOCATING AND REPLACING FUSES.....	10		
4.1. Fuse Replacement.....	11		
TROUBLESHOOTING GUIDE.....	12		
CLEANING AND MAINTENANCE	13		

IMPORTANT INFORMATION

SAFETY SYMBOLS

	“DANGER”, “WARNING”, or “CAUTION” The exclamation point within an equilateral triangle is intended to alert the user to the presence of important operating and maintenance (servicing) instructions in this Installation and Operating Instructions.
	“NOTE” Amplifies a procedure, practice, or condition.



Type B, Applied Part



Dangerous Voltage / Shock Hazard



Fuse Rating Specification



Protective Earth Ground



Alternating Current-AC



Safe Working Load



“Attention, Consult Accompanying Documents”

TRANSPORTATION / STORAGE CONDITIONS

Temperature: Operating: 59 to 104° F
15 to 40° C
Storage: -22 to +140° F
-30 to +60° C

Relative Humidity: Operating: 5 to 95% without condensation
Storage: 10 to 100%

1. INTRODUCTION

1.1. This manual contains information applicable only to the Reliance® Model FXM920 Chair.

1.2. Whenever you see the symbols shown below, heed their instructions! Always follow safe operating and maintenance practices.



“DANGER”- THE DANGER SYMBOL IDENTIFIES SPECIAL INSTRUCTIONS OR PROCEDURES WHICH, IF NOT CORRECTLY FOLLOWED, COULD RESULT IN LOSS OF LIFE OR PERSONAL INJURY.



“DANGER” - LE SYMBOLE DE DANGER IDENTIFIE LES INSTRUCTIONS SPÉCIALES OU LES PROCÉDURES QUI, SINON CORRECTEMENT SUIVI, POURRAIENT AVOIR COMME CONSÉQUENCE LA PERTE DE VIE OU DE BLESSURES.



“WARNING”- THE WARNING SYMBOL IDENTIFIES SPECIAL INSTRUCTIONS OR PROCEDURES WHICH, IF NOT CORRECTLY FOLLOWED, COULD RESULT IN PERSONAL INJURY.



“AVERTISSANT”-LE SYMBOLE D’AVERTISSEMENT IDENTIFIE LES INSTRUCTIONS SPÉCIALES OU LES PROCÉDURES QUI, SINON CORRECTEMENT SUIVI, POURRAIENT AVOIR COMME CONSÉQUENCE DES BLESSURES.



“CAUTION”- This caution symbol identifies special instructions or procedures which, if not strictly observed, could result in damage to or destruction of equipment.



“ATTENTION” - ce symbole d’attention identifie les instructions spéciales ou les procédures aux lesquelles, sinon strictement observés, pourrait avoir comme conséquence les dégâts ou la destruction du matériel.



“NOTE”- Note indicates points of particular or additional information.



“NOTE” - la note indique des remarques d’information particulière ou supplémentaire.

1.3 Should your product not perform properly, or if you have any questions concerning the use and care of any Reliance® product, contact the Reliance® Distributor, where you purchased this product or contact the Technical Service Department, Reliance® Medical Products, Inc., 3535 Kings Mills Road, Mason, Ohio 45040-2303, or call (800) 735-0358.



NOTE: Always have the model number and serial number available before contacting Reliance® or your authorized Reliance® Distributor.



NOTE: Ayez toujours le numéro et le numéro de série de type disponibles avant Reliance® entrant en contact ou votre distributeur autorisé de Reliance®.



WARNING: TO PREVENT FIRE OR SHOCK HAZARD, DO NOT EXPOSE THIS APPLIANCE TO RAIN OR MOISTURE.




ATTENTION : POUR PRÉVENIR LE RISQUE D'INCENDIE OU DE CHOC, N'EXPOSEZ PAS CET APPAREIL À LA PLUIE OU À L'HUMIDITÉ.

TECHNICAL SPECIFICATIONS

Rating for 120V Instrument Stand

This equipment is rated Class I, Type B


Equipment		Model
Low Voltage Chair		FXM920
Volts	Hertz	Amps
120V	50/60	5.5
Class I	Type B	




Rating for 230V Instrument Stand

This equipment is rated Class I, Type B

Equipment		Model
Low Voltage Chair		FXM920
Volts	Hertz	Amps
230V	50/60	3.0
Class I	Type B	




U.S. Patent No.

3,661,421	D418,339	D423,262
5,467,002	D418,686	D424,337
D412,621	D419,343	D425,341
D412,801	D420,233	D425,735

IMPORTANT USER WARNINGS



WARNING- EXPLOSION: THIS STAND MUST NOT BE USED IN THE PRESENCE OF FLAMMABLE ANESTHETICS.



“AVERTISSANT” - DÉCOMPOSITION : CETTE GABARIT NE DOIT PAS ÊTRE UTILISÉE EN PRÉSENCE DES ANESTHÉSQUES INFLAMMABLES

POTENTIAL ELECTROMAGNETIC or OTHER INTERFERENCE

This equipment generates, uses and can radiate radio frequency energy and, if not installed and used in accordance with the instructions, may cause harmful interference to other devices in the vicinity. However, there is no guarantee that interference will not occur in a particular installation.

If this equipment does cause harmful interference to other devices, which can be determined by turning the equipment off and on, the user is encouraged to try to correct the interference by one or more of the following measures:

- Reorient or relocate the receiving device.
- Increase the separation between the equipment.
- Connect the equipment into an outlet on a circuit different from that to which the other device(s) are connected.
- Consult the manufacturer or field service technician for help.

This product contains lead. Check with local ordinance or laws for proper disposal.

2. INSTALLATION

2.1. Unpacking

2.1.1. Chair

2.1.1.1. Cut the shipping bands, open the top of the shipping carton, and remove all packing material and boxes that can be easily reached. Remove (4) nuts and remove both base clamping boards.

2.1.1.2. It is recommended that the skid be positioned as close as possible to the desired chair location.

2.1.1.3. Remove at least two small shipping blocks stapled to the top of the skid. The chair can now be slid and/or tipped from the skid onto the floor.

2.1.1.4. Do not lift the chair by the upper structure. However, the chair may be tipped or slid into position by pushing or pulling on the upper structure.

2.1.1.5. With the chair in position, remove all remaining paper pads, plastic, tape, strings, etc.

2.2. Assembly

2.2.1. Headrest

2.2.1.1. Remove the headrest from its carton, and mount it into position onto the chair back. Using the proper hex key wrench, tighten the cap screw to clamp the headrest securely into its mounting bracket.

2.2.2. Power Receptacle

2.2.2.1. Locate the footswitch assembly, chair control cable, and the power cord assembly. Refer to figure 1 for receptacle location and attach all cables.

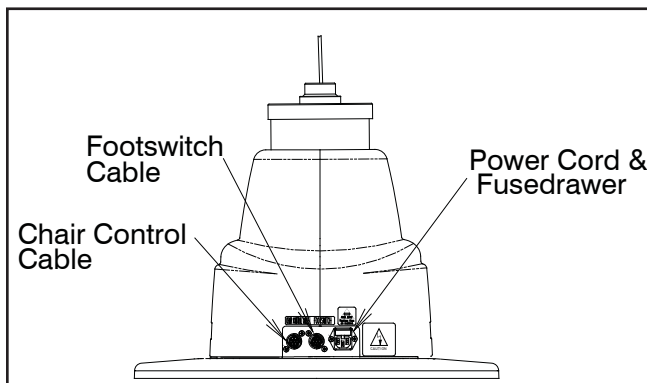


FIGURE 1
BASE

2.2.2.2. To disconnect power to Chair unplug power cord from Instrument Stand or from wall receptacle.



NOTE: Outlet wires are hot.



NOTE : Les fils de sortie sont chaud



NOTE: If this chair is purchased in conjunction with a Reliance® instrument stand, the chair control cable supplied will provide proper operation. Refer to the instrument stand manual for connection to the stand.



NOTE: Si cette présidence est achetée conjointement avec un gabarit d'instrument de Reliance®, le câble de commande de présidence fourni fournira le fonctionnement approprié. Référez le manuel de gabarit d'instrument pour la connexion au gabarit.

3. OPERATION



CAUTION- Caution should be taken to observe that there are no obstructions (instruments, trays, or tables) to impede the movement of the chair.



ATTENTION- L'attention devrait être prise pour constater qu'il n'y a aucune obstruction (instruments, magasins, ou tables) pour entraver le mouvement de la présidence.

Each time main power is applied to the chair, the circuit board inside the chair will respond with a one second beep. The beep indicates the electronics are functioning properly.

3.1. Stop Switch

3.1.1. Depressing the STOP switch on either side of the chair back will STOP ALL movement of the chair. The STOP switch is shaped like a stop sign, and may be either RED or ORANGE in color. It is located above the text "STOP". (Refer to Figure 2).

3.2. Chair Lift

3.2.1. Raising & Lowering the Chair Lift with Membrane Switches

- The chair lift may be raised or lowered by Membrane Switches on either side of the chair back (Figure 2).
- To raise the chair lift from these switches, depress the triangular-shaped UP arrow located ABOVE the text "BASE". This is called the RAISE BASE switch.
- To lower the chair lift, depress the triangular-shaped DOWN arrow located BELOW the text "BASE". This is called the LOWER BASE switch.

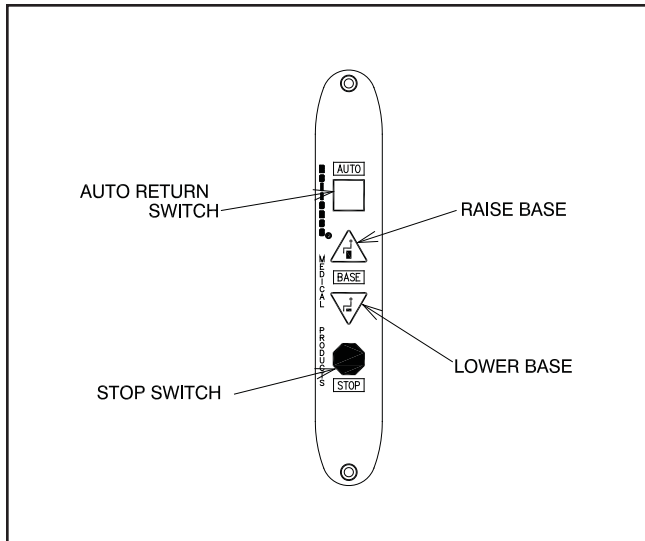




FIGURE 2
MEMBRANE SWITCH

 **NOTE:** By design, the motion of the chair will STOP when either of the switches is released.

 **NOTE:** Par conception, le mouvement de la présidence S'ARRÊTERA quand l'un ou l'autre de ces contacts est relâché.

3.2.2. Raising & Lowering the Chair Lift from the Footswitch

- For operation from the footswitch (Figure 3), depress the right side of the pedal to raise the chair lift.
- Depress the left side of the pedal to lower the chair lift.

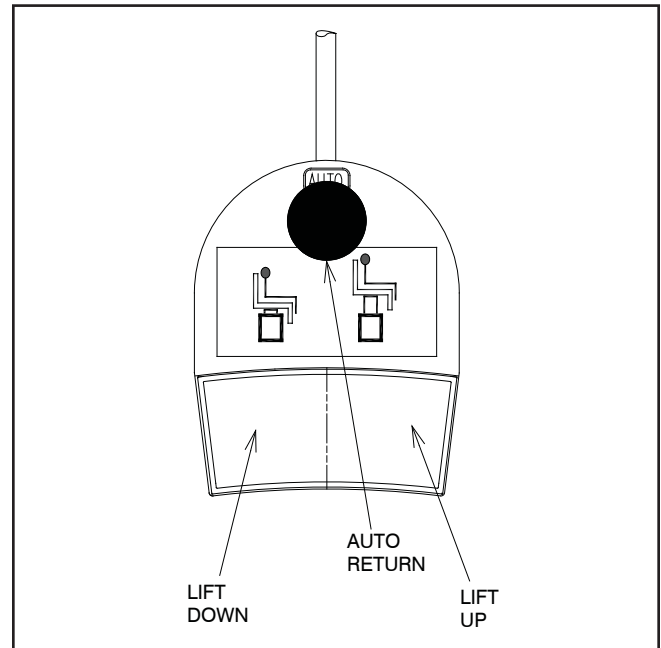


FIGURE 3
Footswitch Operation



NOTE: The motion of the chair will STOP when either of the switches is released.



NOTE: Le mouvement de la présidence S'ARRÊTERA quand l'un ou l'autre des contacts est relâché.

3.3. Chair Top

3.3.1. Positioning The Chair Back

- The chair back may be reclined or raised by actuating the release handle and pushing downward or gently pulling upward on the release handle (Figure 4).
- If the chair is equipped with an articulating leg rest, the foot-step and apron will rise when the back is reclined.

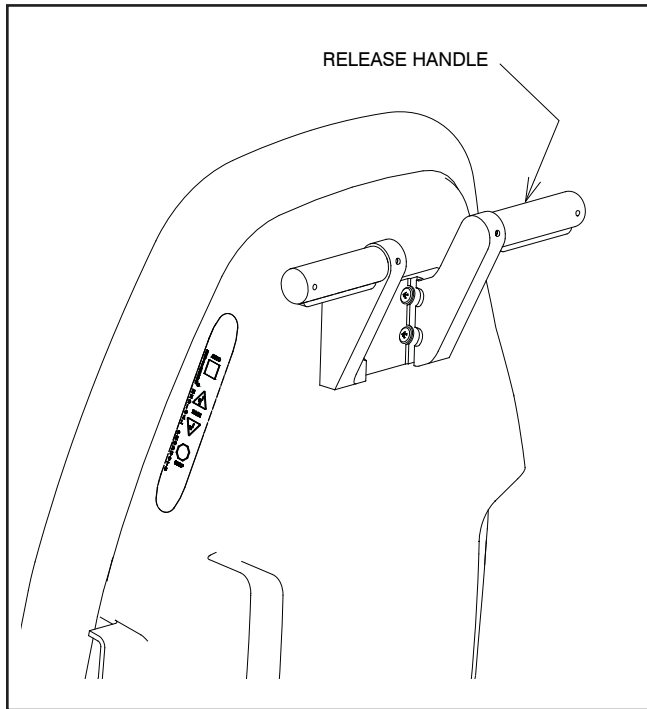


FIGURE 4
Release Lever.

3.4. Revolving/Rotation

3.4.1. The chair upper structure may be revolved 350°, with a built-in stop to prevent continuous rotation. The lock for revolving is controlled by a hand lever with chrome plated knob located below the seat at the center and on either side. Push the lever in the direction of footrest to apply the lock and in opposite direction to release the lock.



NOTE: The lock must be applied each time before the chair is used. 30 lbs locking force is necessary to lock chair for one working day. Vibration of chair during transportation or moving on rough surface will release the lock.



NOTE: La serrure doit être appliquée chaque fois avant que la chaise soit employée. 30 livres fermant la force à clef est nécessaire pour fermer la chaise à clef pour un jour ouvrable. La vibration de la chaise pendant le transport ou se déplacer sur la surface

3.5. Arm Movement

3.5.1. The chair arms may be raised to provide better access to the patient or to permit entrance to or exit from the chair.

3.5.2. The movements of both arms are identical and completely independent of each other.

3.5.3. To raise an arm, push rearward on the middle joint of the arm support link while raising upward on the arm. A stop limits upward motion of the arm to a point parallel to the plane of the back. Lowering the arm automatically locks it in place against vertical motion in either direction.

3.6. Footrest

3.6.1. The footrest may be retracted by lifting near its outer edge. When retracted, the footrest stays in place.

3.7. Headrest

3.7.1. The No. 26 headrest is the standard headrest for the Model FXM920 Chair.



WARNING- IF THE NO. 26 HEADREST RECEIVES A IMPACT OR STRIKES AN OBJECT WITH FORCE CONTACT RELIANCE® TECH SERVICE IMMEDIATELY.



AVERTISSANT- SI L'APPUI-TÊTE DU NUMÉRO 26 REÇOIT UN CHOC OU HEURTE UN OBJET AVEC LE SERVICE DE TECHNOLOGIE DU CONTACT RELIANCE® DE FORCE IMMÉDIATEMENT.

3.7.2. Operation-No. 26 Headrest

3.7.2.1. The No. 26 headrest is designed so it can be operated with just one hand. To unlock, squeeze the clear plastic actuator into lock housing. This will allow both pivots of the articulating arm to rotate so the headrest can be moved to a new desired position. Once in the new position, release the actuator. Make sure the actuator expands to its original position fully exposing the black dot on handle to insure a positive lock. The headrest pad is free to rotate at all times. (See Figure 5).

3.7.3. Adjustment-No.26 Headrest

3.7.3.1. There are three adjustments provided on the No. 26 headrest. The first is the tension on the pad rotation. By tightening the two hex acorn nuts on the pad pivots with a 3/8" open end wrench, the tension will be increased. To adjust the drag on the pivots of the articulating arm, loosen the set screw in the center of the pivot with a 3/32" hexagon key wrench (Figure 5, item 1). Next, tighten the pivot screw on the other side of the pivot, with a 1/8" hexagon key wrench. Now, retighten the set screw to retain the pivot screw at the new adjustment. Either pivot may be adjusted.

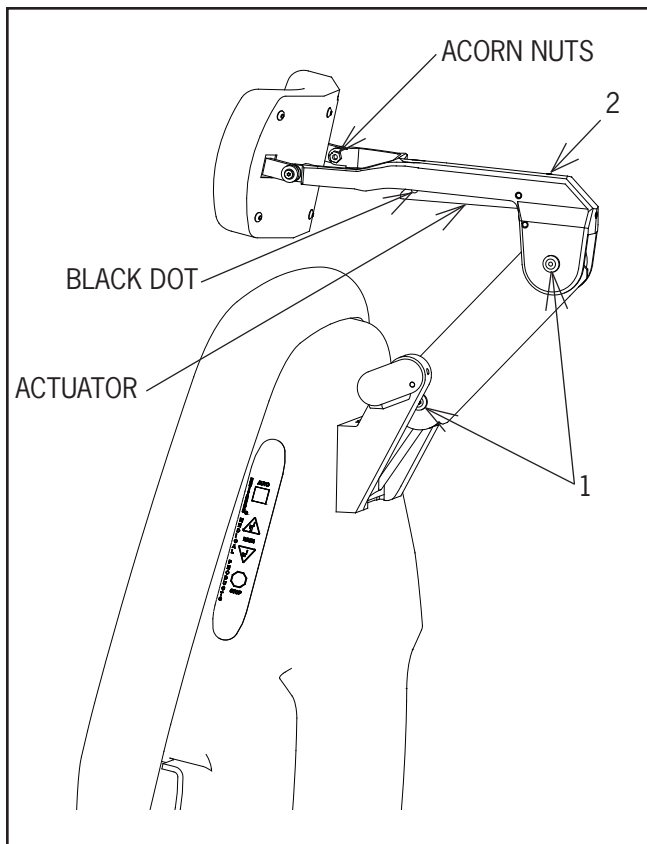
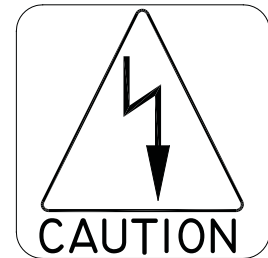
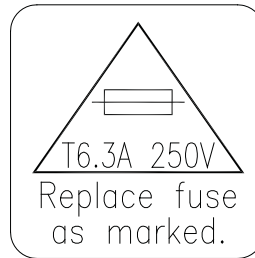


FIGURE 5

3.7.3.2. The third adjustment is for proper clearance of the block dot to indicate that the headrest is properly locked. If the dot does not fully clear the lock housing when the headrest is locked securely, turn the set screw located at the top of the lock housing (Figure 5, item 2) counterclockwise until the dot on the actuator is fully exposed.

4.0 LOCATING AND REPLACING FUSES



WARNING-DISCONNECT CHAIR BASE FROM AC POWER INPUT BEFORE PROCEEDING WITH ELECTRICAL INSPECTIONS OR MAINTENANCE.



AVERTISSANT-DÉMONTÉZ LA BASE DE PRÉSIDENCE DU COURANT ALTERNATIF ENTRÉ AVANT DE PROCÉDER AUX INSPECTIONS OU À L'ENTRETIEN ÉLECTRIQUES.



CAUTION-Replace fuse(s) as marked. All fuses must be replaced with a fuse of the same size and rating. Refer to the Wiring Diagram on page 28.



ATTENTION - changez le détonateur (s) comme marqué. Tous les détonateurs doivent être changés avec un détonateur de la même taille et de la notation. Référez le diagramme de câblage à la page 28.

The chair contain two fuses located inside the AC Input Module in the Base Assembly.

4.1. Fuse Replacement (AC Input Module)

4.1.1. Unplug the power cord from the AC power input module. Referring to Figure 6, locate tab. With a tool similar to a small common screwdriver placed under tab, pry fuse drawer out. Remove the drawer by pulling it out with your fingers.

4.1.2. To remove fuses from fuse drawer, tilt fuses in direction of arrows as shown in Figure 6. Examine the fuses, replace as necessary.

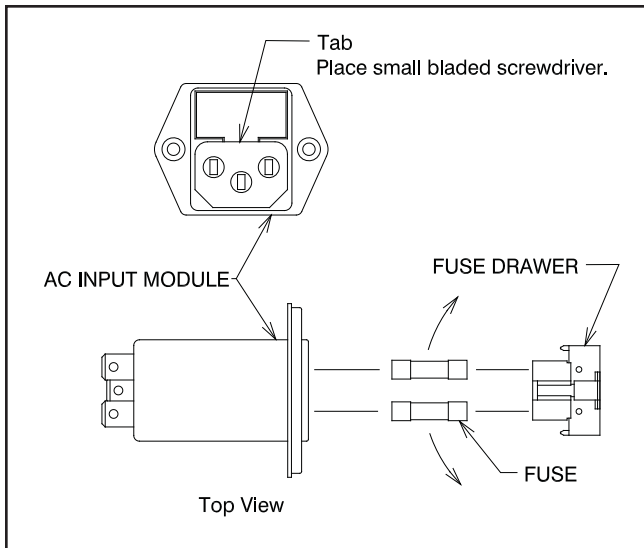


FIGURE 6

TROUBLESHOOTING GUIDE

PROBLEM	PROBLEM CAUSE	SOLUTION
CHAIR WILL NOT OPERATE.	<ol style="list-style-type: none"> 1) POWER CORD NOT PLUGGED IN. 2) NO AC POWER AT WALL RECEPTACLE. 3) BLOWN LINE FUSE. 	<ol style="list-style-type: none"> 1) CHECK ALL WIRING CONNECTIONS. 2) RESTORE OUTLET POWER. 3) REPLACE FUSE.
OUTLET POWER OK, BUT NO BEEP IS HEARD WHEN POWER IS APPLIED.	<ol style="list-style-type: none"> 1) BLOWN LINE FUSE. 2) LOOSE WIRING IN BASE. 3) OTHER. 	<ol style="list-style-type: none"> 1) REPLACE FUSE. 2) CHECK ALL WIRING CONNECTIONS. 3) CONTACT FACTORY
FOOTSWITCH FUNCTIONS NOT OPERATING.	<ol style="list-style-type: none"> 1) FOOTSWITCH CORD NOT CONNECTED. 	<ol style="list-style-type: none"> 1) CHECK ALL INTERNAL AND EXTERNAL FOOTSWITCH WIRING
SIDESWITCH FUNCTIONS NOT OPERATING.	<ol style="list-style-type: none"> 1) DAMAGED OR DISCONNECTED WIRES IN CHAIR BACK, UNDER CHAIR SEAT, OR IN CHAIR BASE 	<ol style="list-style-type: none"> 1) CHECK ALL WIRING CONNECTIONS.
CHAIR BASE WILL NOT STAY UP	<ol style="list-style-type: none"> 1) SOLENOID VALVE NOT CLOSED. (DIRT IN VALVE.) 2) CONSTANT POWER APPLIED TO SOLENOID. 3) OTHER 	<ol style="list-style-type: none"> 1) REPAIR OR REPLACE SOLENOID VALVE. 2) CHECK FOR SWITCHES STUCK "CLOSED" . 3) CONTACT FACTORY.
CHAIR BASE WILL NOT LOWER.	<ol style="list-style-type: none"> 1) NO POWER TO MOTOR PUMP ASS'Y. 2) SOLENOID COIL BURNED-OUT 3) OTHER 	<ol style="list-style-type: none"> 1) CHECK FOR VOLTAGE. 2) REPLACE SOLENOID COIL. 3) CONTACT FACTORY.
CHAIR BASE WILL NOT RAISE. PUMP MOTOR DOES NOT RUN.	<ol style="list-style-type: none"> 1) NO POWER TO MOTOR PUMP ASS'Y 2) UP-LIMIT SWITCH STUCK "OPEN". 3) PUMP MOTOR BURNED-OUT. 4) OTHER 	<ol style="list-style-type: none"> 1) CHECK FOR VOLTAGE. 2) RE-ADJUST OR REPLACE SWITCH. 3) REPLACE MOTOR-PUMP ASS'Y. 4) CONTACT FACTORY.
CHAIR BASE WILL NOT RAISE. PUMP MOTOR RUNS.	<ol style="list-style-type: none"> 1) SOLENOID VALVE NOT CLOSED. (DIRT IN VALVE.) 2) CONSTANT POWER APPLIED TO SOLENOID. 3) OTHER. 	<ol style="list-style-type: none"> 1) REPAIR OR REPLACE SOLENOID VALVE. 2) CHECK FOR SWITCHES STUCK "CLOSED". 3) CONTACT FACTORY.
BASE "STUTTERS" DURING ASCENT.	<ol style="list-style-type: none"> 1) HYDRAULIC FLUID LEVEL IS LOW. 	<ol style="list-style-type: none"> 1) CONTACT DEALER OR FACTORY FOR INFORMATION ON ADDING OIL.
CHAIR BASE WILL NOT RAISE OR LOWER FROM FLOOR UNIT.	<ol style="list-style-type: none"> 1) CHAIR CONTROL CABLE NOT PLUGGED IN. 2) BLOWN FUSE IN CHAIR BASE. 	<ol style="list-style-type: none"> 1) CHECK CABLE CONNECTIONS AT STAND AND CHAIR 2) REPLACE FUSE.
CHAIR TOP "WOBBLES" ON CHAIR BASE	<ol style="list-style-type: none"> 1) LOCK NUT IS LOOSE. (UNDER SEAT BOARD.) 	<ol style="list-style-type: none"> 1) TIGHTEN LOCK NUT.
CHAIR RECLINES WITHOUT HANDLE BEING ACTIVATED.	<ol style="list-style-type: none"> 1) CONTROL CABLE OUT OF ADJUSTMENT 	<ol style="list-style-type: none"> 1) ADJUST CONTROL CABLE
CHAIR WILL NOT RECLINE WHEN HANDLE IS ACTIVATED.	<ol style="list-style-type: none"> 1) CONTROL CABLE OUT OF ADJUSTMENT 	<ol style="list-style-type: none"> 1) ADJUST CONTROL CABLE

CLEANING AND MAINTENANCE

Cleaning the Upholstery

When cleaning upholstery, it is suggested that you use all recommended commercial cleaning agents in an inconspicuous spot to check for potential damage to the upholstery material before applying to the entire area to be cleaned.

Day to Day soil:

Remove ordinary dirt and smudges with a mild soap and warm water solution. Dry with a soft, lint-free cloth or towel. For more difficult stains, use of a stronger detergent is recommended; however, follow the detergent manufacturer's instructions closely.

Disinfecting Material:

In order to disinfect, use a 1:9 solution of bleach and water (1 part bleach to 9 parts water). Wipe surface with damp cloth then rinse with water immediately, using a damp cloth.

Special cleaning problems:

The following methods are recommended to clean stains on PreFixx-protected vinyl upholstery. Most stains will be removed when these cleaning agents are used in the following order.

Type 1 Cleaners: Nonabrasive household cleaners to be used with water and a soft cloth.

- Formula 409~ All-Purpose Spray Cleaner
- Fantastik® Spray Cleaner
- Other similar household cleaners and bleaches

Type 2 Cleaners: Solvent-type cleaner to be liberally applied with a soft cloth. Dry area with another cloth, rinse with clean water and dry.

- Rubbing alcohol (isopropyl alcohol)
- Lighter fluid (naptha)

Type 3 Cleaners: Strong, active solvent cleaners such as nail polish remover (acetone/water) to be applied with a soft cloth. Stain should be removed with less than six (6) rubs; if stain persists after six rubs, contact manufacturer. Dry area with another cloth, rinse with clean water and dry.



CAUTION- These solvents are highly flammable. Exercise proper care in cleaning and notify personnel in area of danger. Wear rubber gloves during all cleaning activity. Use caution in cleaning around buttons, stitching and wooden or other decorative trim, since these solvents could seriously damage such areas.



ATTENTION - Ces dissolvants sont hautement inflammables. Prenez le soin approprié dans le nettoyage et informez le personnel dans la zone du danger. Utilisez les gants en caoutchouc pendant toute l'activité de nettoyage. Faites attention en nettoyant autour des boutons, en piquant et panneau en bois ou autre décoratif, puisque ces dissolvants pourraient sérieusement endommager de telles zones.

Cleaning Painted Surfaces

The painted metal surfaces are covered in durable, powder-coated paint which is resistant to scratching and scuffing. It may be cleaned with a clean cloth dampened with mild, soapy water or equivalent household product that uses spray application.

Recommended Infection Control Products

The disinfectant/cleaner products that we have tested and recommend for our upholstery, painted items and plastic covers are as follows.

- Cavicide® Hospital Disinfectant
- Precise® Hospital Foam Cleaner Disinfectant



CAUTION - Follow manufacturer's directions for concentration and application of disinfecting material. Avoid prolonged application of any disinfectant/cleaner products, because they may cause staining of upholstery material.



ATTENTION - Suivez les sens du constructeur pour la concentration et l'application de la désinfection produit. Évitez l'application prolongée de tous les produits désinfectants/plus propres, parce qu'elles peuvent causer la souillure du produit de capitonnage.

PARTS LIST
RELIANCE® MODEL FXM920
LOW VOLTAGE CONTROL CHAIR



Note: When ordering parts, please:

1. Advise dealer or factory of model and serial number of unit. These numbers are on the label that is located at rear, near bottom, of chair back.
2. Specify color of painted parts. Painted parts have an asterisk(*) behind the part description.

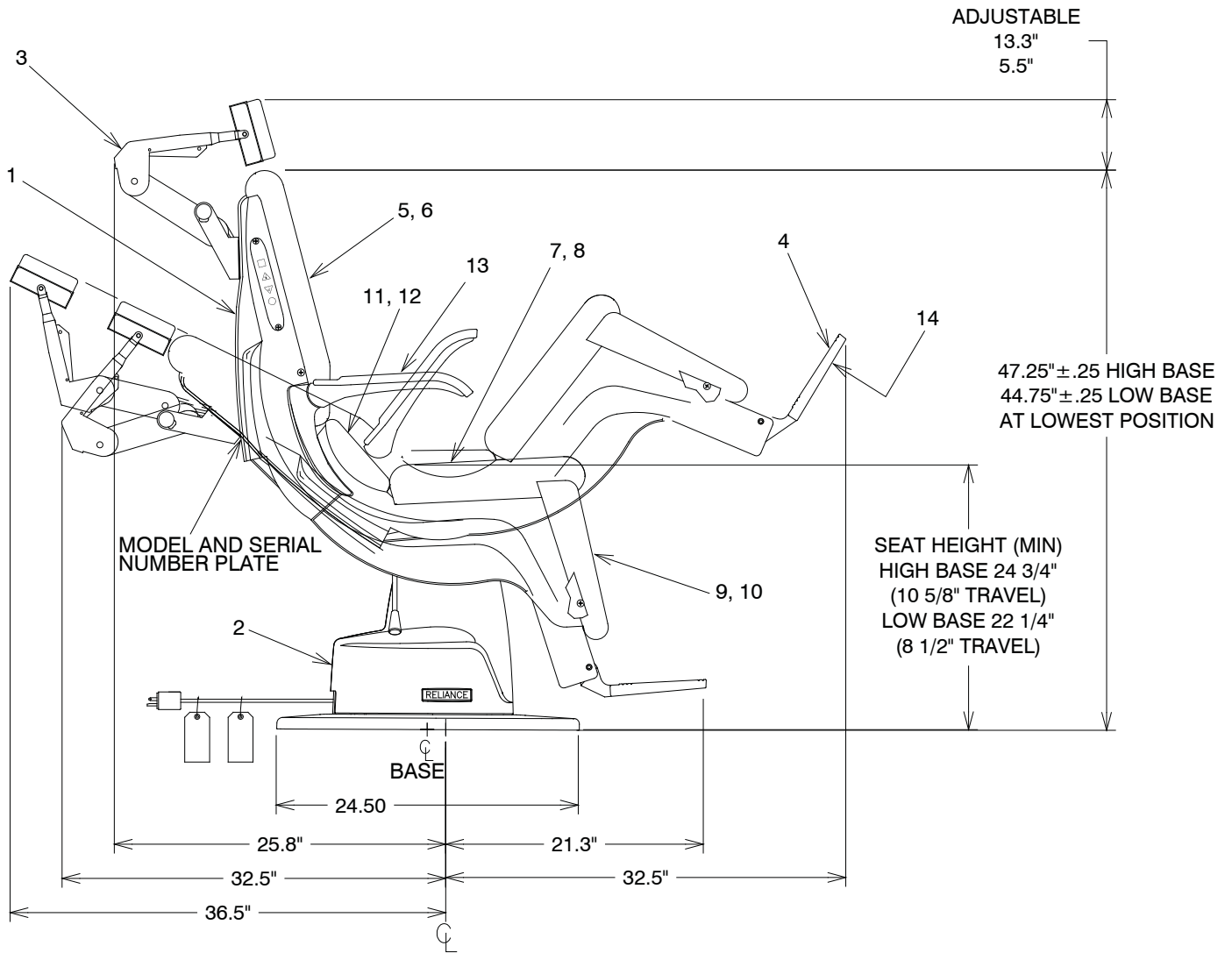


Note : Quand pièces de commande, s'il vous plaît :

1. Informez le distributeur ou l'usine du modèle et du numéro de série de l'ensemble. Ces numéros sont de la plaque qui est située à l'arrière, près de la base, de l'unité centrale.
2. Indiquez la couleur des pièces peintes. Les pièces peintes ont un astérisque (*) derrière la description de pièce.

Should your Control Chair not perform properly, or if replacement parts are needed, contact the Reliance® Distributor, where you purchased this product or contact the Technical Service Department, Reliance® Medical Products, Inc., 3535 Kings Mills Road, Mason, Ohio 45040-2303, or call (800) 735-0358.

**FIGURE 7
FXM920 CHAIR ASSEMBLY**

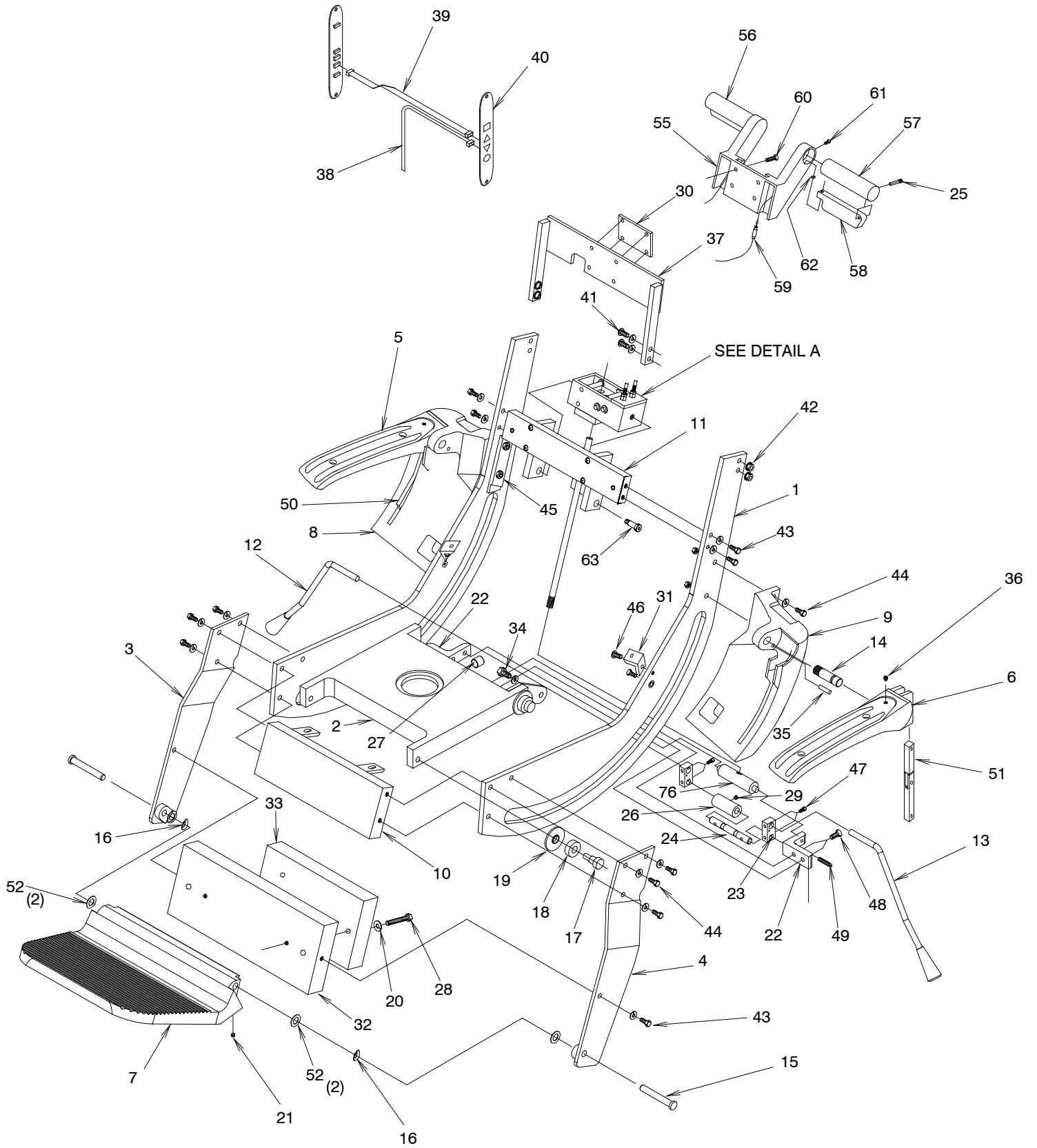


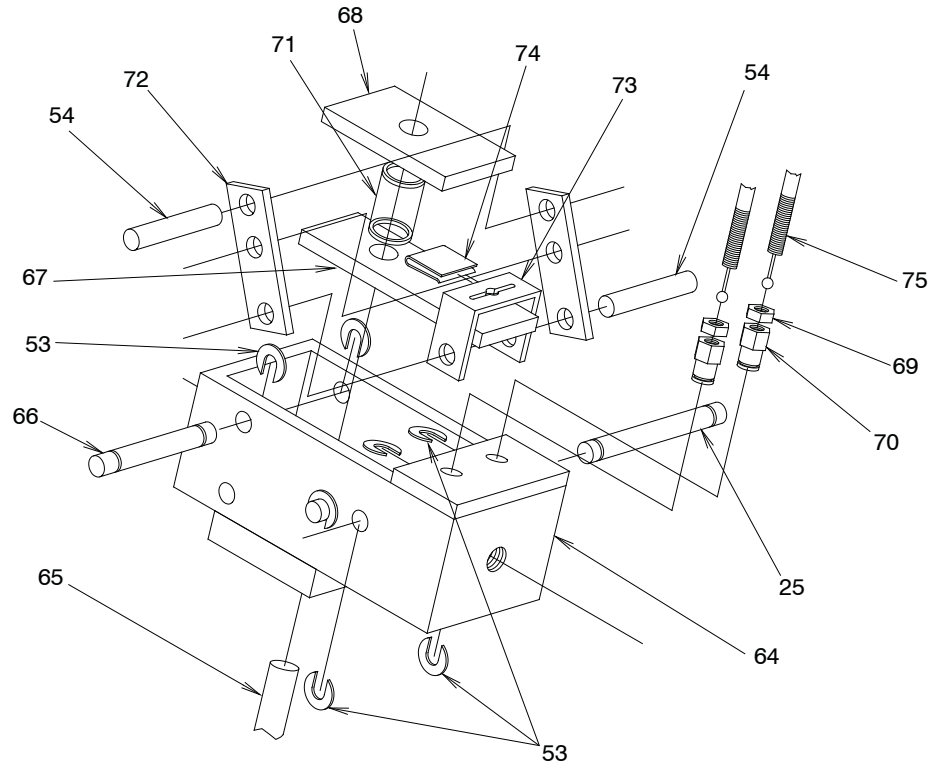
ITEM	PART NO.	DESCRIPTION	ITEM	PART NO.	DESCRIPTION
1		Chair Top Assembly* (See Figure 8)	8	1761073	Upholstered Seat Assembly**
2		Base Assembly* (See Figure 9)	9	1961173	Apron Board Assembly**
3		#26 Headrest Assembly* (See Figure 11)	10	1760973	Upholstered Apron Assembly**
4	1760403	Footstep*	11	1767873	Center Board Assembly**
5	1961073	Back Board Assembly**	12	1761173	Upholstered Center Assembly**
6	1761273	Upholstered Back Assembly**	13	1761373	Upholstered Arm Assembly**
7	1779273	Seat Board Assembly**	14	1765073	Scuff Pad**

** Please specify upholstery color when ordering.
To order complete Upholstery Set use P/N.

1782073 Upholstery Set - FX920 - FXM920

**FIGURE 8
CHAIR TOP ASSEMBLY**





DETAIL A

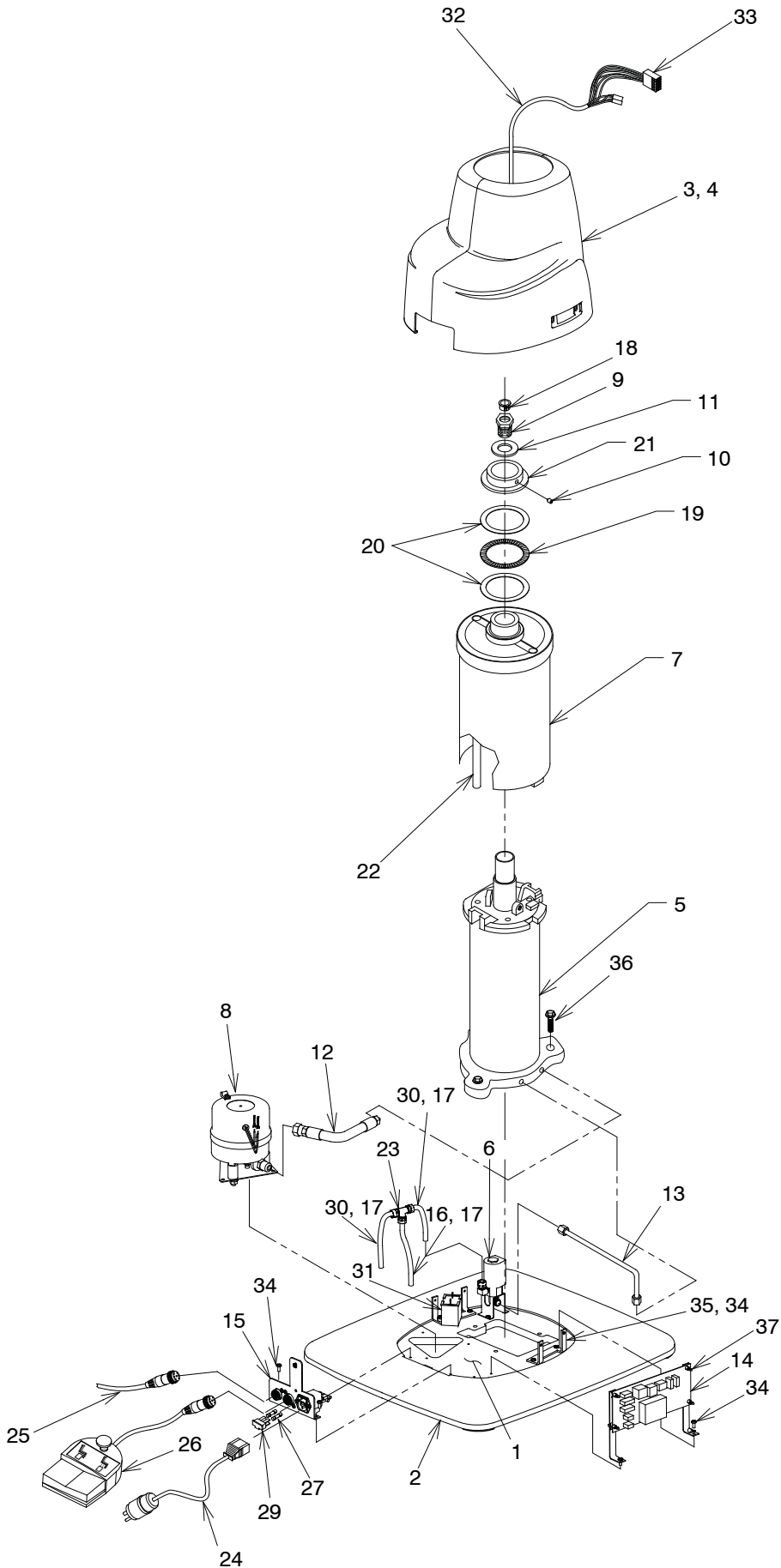
Chair Top Assembly Parts List on pages 18 and 19 .

ITEM	PART NO.	DESCRIPTION	ITEM	PART NO.	DESCRIPTION
1	1766585	Cradle	28	0282199	HHCS - 5/16-18 x 1-3/4
2	1564995	Seat Support	29	0722699	Set Screw 1/4 x 1/4
3	1518685	Apron Bracket - R.H.*	30	1764403	Headrest Bracket Spacer*
4	1518785	Apron Bracket - L.H.*	31	1761585	Angle Bracket
5	1761603	Armrest - R.H.*	32	1520785	Primary Counterbalance Weight
6	1761703	Armrest - L.H.*	33	1520885	Secondary Counterbalance Weight
7	1760403	Footstep*	34	1781099	Hinge Pin
8	1761803	Armrest Support - R.H.*	35	0762899	Pin Drive Lock
9	1761903	Armrest Support - L.H.*	36	1765899	SHSS, 1/4-20 x 1/4
10	1520485	Spacer Weldment	37	1519995	Handle Mounting Plate Weldment
11	1985685	Swivel Block Sub Assembly	38	1766899	Back Cable Assembly
12	1524499	Lock Handle - R.H.	39	1546299	Ribbon Cable
13	1524599	Lock Handle - L.H.	40	1947499	Membrane Switch Assembly
14	1765199	Armrest Hinge Pin	41	0298199	BHCS - 5/16-18 x 1
15	1313180	Pin, Footrest	42	0704699	Hex Nut - 5/16-18
16	0396299	Spring Washer	43	0307999	HHCS - 5/16-18 x 3/4
17	1521299	Bolt, Shoulder 1/2 x 1/2	44	0707299	HHCS - 5/16-18 x 1-1/4
18	0506199	Bearing	45	1985999	Stop Block
19	1521599	Shoulder Washer	46	1782799	HHCS - 1/4-20 x 3/4
20	0728399	5/16 Split Washer	47	0815699	SCKT HCS - #10-32 x 7/8
21	0722899	Set Screw 1/4 x 3/8	48	1847499	FHCS - 5/16-18 x 1
22	1520985	Mounting Bracket Swivel Lock	49	1427099	Spring, Plunger
23	1483995	Lock Block	50	1842692	Armrest Link Assembly - RH
24	1484095	Lock Shaft, Swivel	51	1842792	Armrest Link Assembly - LH
25	0563299	Linkage Hinge Pin	52	2260599	.50 ID Thrust Washer
26	0561799	Lock Cam	53	0732599	Retaining Ring
27	0643582	Lock Plug	54	1537699	Rotation Arm Pin

ITEM	PART NO.	DESCRIPTION	ITEM	PART NO.	DESCRIPTION
55	1486703	Tilt Handle Bracket*	67	1537999	Lower Lock Shoe
56	1520699	Release Handle - R.H.	68	1538099	Upper Lock Shoe
57	1520799	Release Handle - L.H.	69	0295699	1/4-28 Jam Nut
58	1521199	Tilt Release Actuator	70	1226099	1/4-28 Cable Adapter Nut
59	1529899	Control Cable Assembly	71	1222399	3/4 OD x 1-1/8 Spring
60	1111399	FHCS - 1/4-20 x 3/4 SS	72	1537882	Rotation Arm
61	0821699	FHMS - #8-32 x 3/8	73	1538199	Cable Clevis
62	0305599	1/4 Retaining Ring	74	0300199	8A Tinnerman Clip
63	1521399	Bolt, Shoulder 1/2 x 3/4	75	1529899	Control Cable Assembly
64	1518499	Lock Frame	76	1523399	Rocker
65	1520399	Lock Shaft	77		
66	1529699	Lock Shoe Pin	78		

*Please specify paint color when ordering.

**FIGURE 9
CHAIR BASE ASSEMBLY**



ITEM	PART NO.	DESCRIPTION	ITEM	PART NO.	DESCRIPTION
1	2081203	Base	19	0559999	Thrust Bearing
2	2065599	Base Cover	20	0560099	Thrust Washer
3	2065199	Base Housing - Low - RH	21	0123885	Lock Nut
	2065399	Base Housing - High - RH	22	1548195	Wiring Tube-High
4	2065299	Base Housing - Low - LH		1548395	Wiring Tube-Low
		2065499	Base Housing - High - LH	23	1127599
5		Lift Assembly (See Figure 10)	24	1659299	Power Cord Assembly
6	1707792	Solenoid Valve Assembly-120V	25	1550599	Chair Control Cable-LV To LV
	1707892	Solenoid Valve Assembly-230V	26	1608292	Footswitch Assembly
7	1702892	Keyshield Assembly-Low*	27	1634299	Fuse, 6.3 A / 250V-120V
	1702992	Keyshield Assembly-High*		1634999	Fuse, 4 A / 250V-230V
8	2720092	Pump/Motor Assembly-120V	28	1976799	Power Entry Module W/ Filter
	2720192	Pump/Motor Assembly-230V	29		Fusedrawer, 2 Pole (In Item 28)
9	1547899	Piston Rod Bolt	30	0458999	Tubing-5 in
10	1525899	Set Screw-#10-24 x 1/4	31	1597299	Capacitor, Starting-120V
11	0607299	Washer		2002199	Capacitor, Starting-230V
12	2721092	Hose Assembly	32	2714199	Base Cable Grey
13	1596292	Pressure Tube Assembly	33	1643899	10 Connector Wire Housing
14	2025599	P.C. Board Assembly	34	1720399	PH Phil w/Lock Washer-#10-24 x 1/2
15	2720892	AC Input Assembly	35	2081099	Housing Mount Bracket
16	0458999	Tubing-5-1/2 in	36	0708599	HHCS 3/8-16 x 1.5
17	1081999	Tubing Insert	37	1569999	Circuit Board Support
18	1547999	Snap Bushing			

To order complete Base Assembly use P/N's.

- 2714292 Chair Base Assembly - Low - 120V*
- 2714392 Chair Base Assembly - High - 120V*
- 2714492 Chair Base Assembly - Low - 230V*
- 2714592 Chair Base Assembly - High - 230V*

*Please specify paint color when ordering.

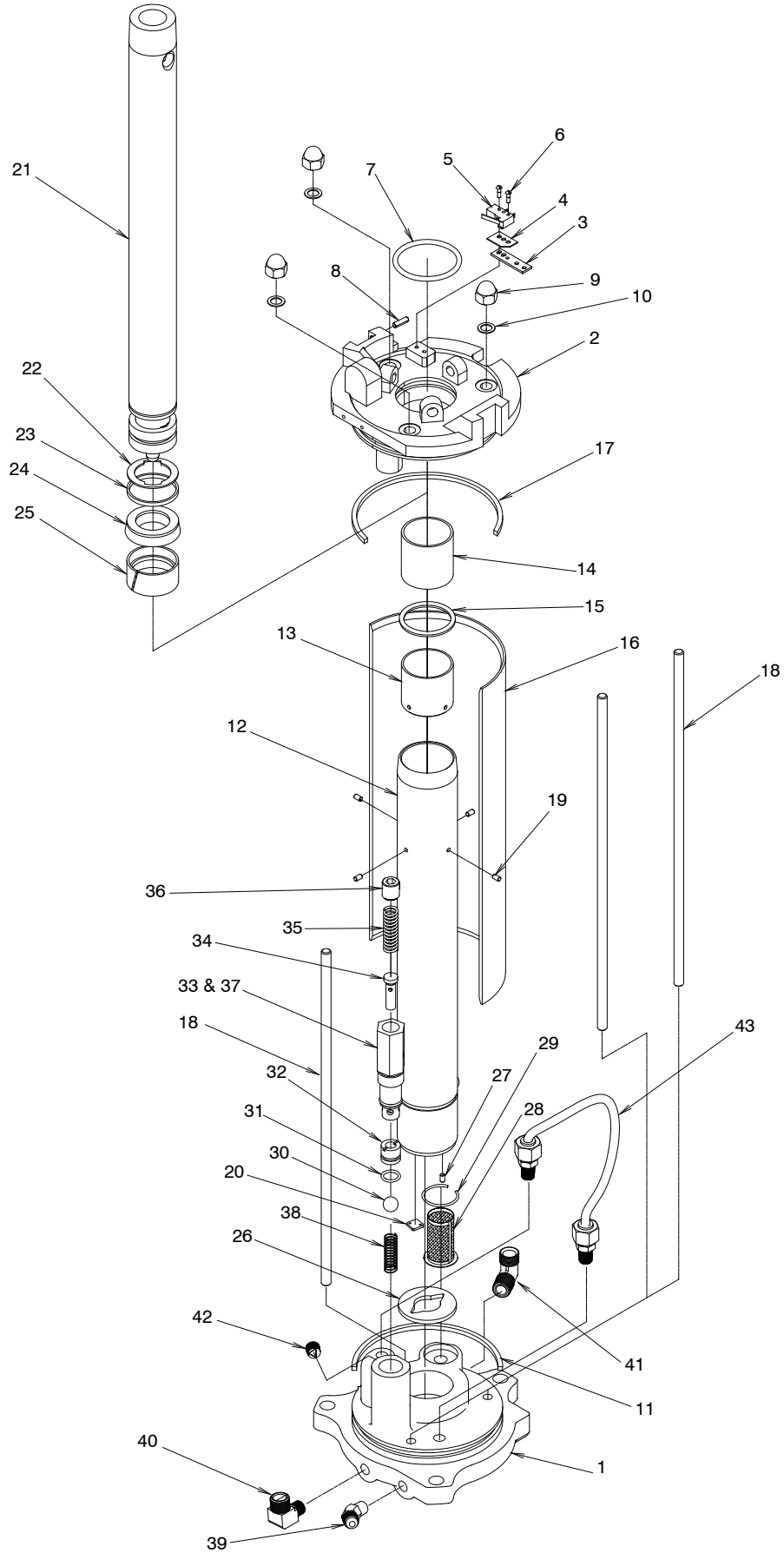


NOTE- Power cord for 230V base does not include a plug.



NOTE- Le cordon de secteur pour la base 230V ne comprend pas une fiche.

FIGURE 10
LIFT ASSEMBLY



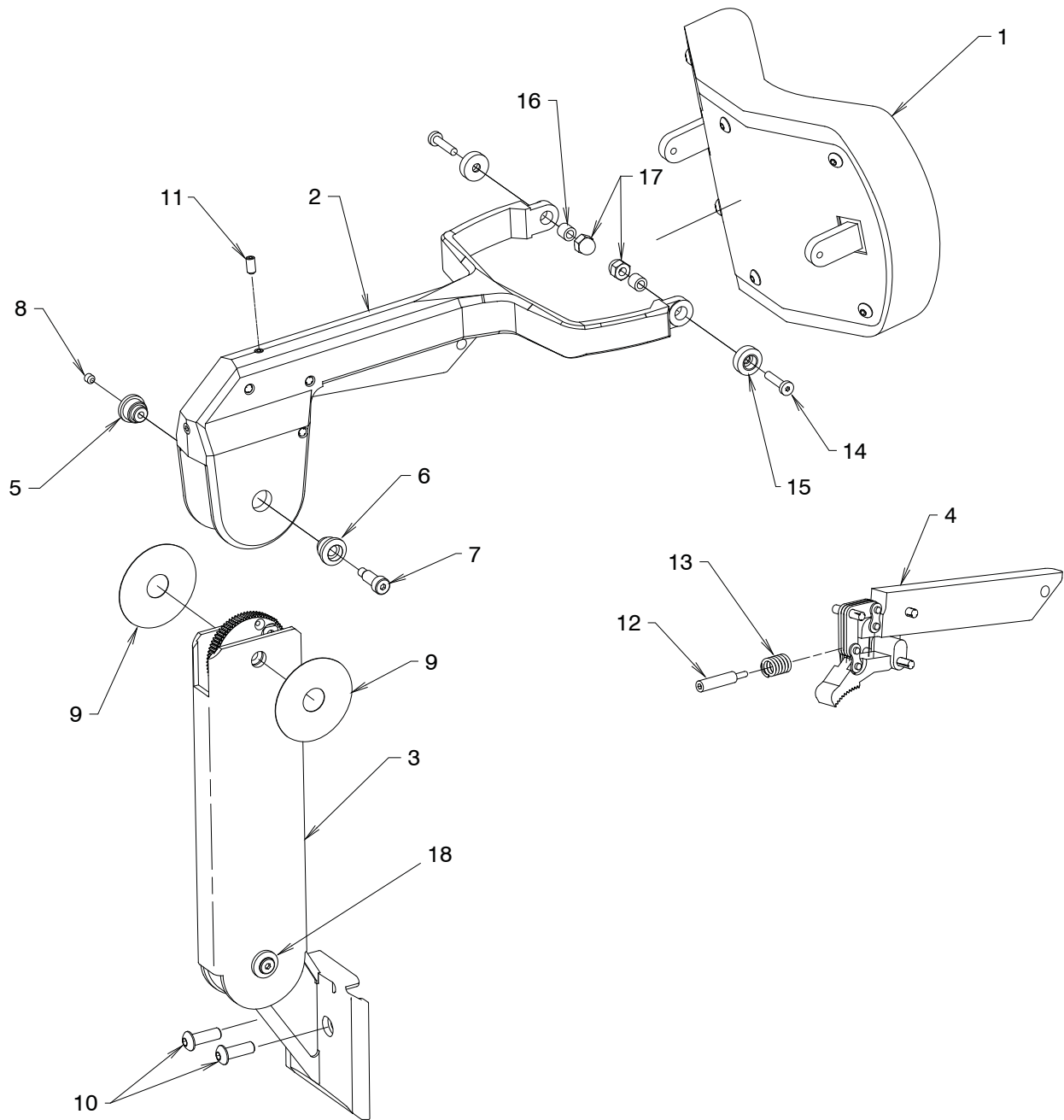
ITEM	PART NO.	DESCRIPTION	ITEM	PART NO.	DESCRIPTION
1	1012795	Lift Base	22	0733299	Retaining Ring
2	1019095	Lift Top	23	0512599	Backup Ring
3	0439979	Switch Plate	24	0730899	U - Pack
4	0929699	Insulator	25	0512499	Piston Ring
5	1011399	Switch	26	0353199	Cylinder Gasket
6	0727599	Drive Screw	27	0569299	Pin - Roll
7	0731499	"O" Ring	28	0466399	Filter Screen
8	1454699	Pin	29	0446099	Snap Ring
9	0485199	Nut - Acorn 5/16	30	0741799	Valve Ball
10	0365799	Gasket - Tie Rod	31	0731199	"O" Ring
11	0432599	Base Column Seal	32	0441999	Valve Seat
12	0903292	Cylinder Assembly - High	33	1012499	Valve Housing
	0526792	Cylinder Assembly - Low	34	0363299	Relief Valve Plunger
13		Spacer - Cylinder (in Item 12)	35	0784699	Relief Valve Spring
14		Bushing (in Item 12)	36	1012399	Set Screw
15		Ring - Quad (in Item 12)	37	0731299	"O" Ring
16	0902285	Base Column - High	38	0442499	Valve Spring
	0563885	Base Column - Low	39	2720799	Elbow - 45°
17	0432599	Base Column Seal	40	1081899	Elbow - 90°
18	0901999	Tie Rod - High	41	0447199	Elbow - 90°
	0563699	Tie Rod - Low	42	0303699	Plug - Pipe 1/8-27 Sckt Head
19		Pin - Roll (in Item 12)	43	1060392	Tubing Assembly
20	0422899	Disc - Valve			
21	1183592	Piston Rod - High			
	1183692	Piston Rod - Low			

To order complete Lift Assembly use P/N's.

2721192 Lift Assembly - Low

2721292 Lift Assembly - High

FIGURE 11
#26 HEADREST ASSEMBLY



ITEM	PART NO.	DESCRIPTION
1	1781973	Pad Assembly**
2	1460492	Yoke Assembly*
3	1460592	Gear & Bracket Assembly*
4	1470692	Actuator & Lock Gear Assembly
5	1425299	Pivot Cap, Right
6	1425399	Pivot Cap, Left
7	0307599	Screw, Shoulder 1/4 x 1
8	0726099	S.H.S.S. #10-24 x 3/16
9	1424999	Washer, 2" OD
10	1454799	B.H.C.S. 1/4-28 x 1/2
11	1456399	S.H.S.S. #10-24 x 3/8
12	1427099	Spring Plunger
13	1538899	Spring
14	1454999	L.H.C.S. #10-24 x 3/4 - Socket
15	1434799	Pivot Cap, Pad
16	0467195	Bushing .188 I.D x .312 O.D.
17	1456199	Nut, Acorn 1/4-20 Low Crown
18	1425699	Screw, Shoulder .25 x .50

To order complete Headrest Assembly use P/N.

144060 #26 Headrest Assembly*

*Please specify paint color when ordering.
 ** Please specify upholstery color when ordering.

To order complete Screw Assembly use P/N.

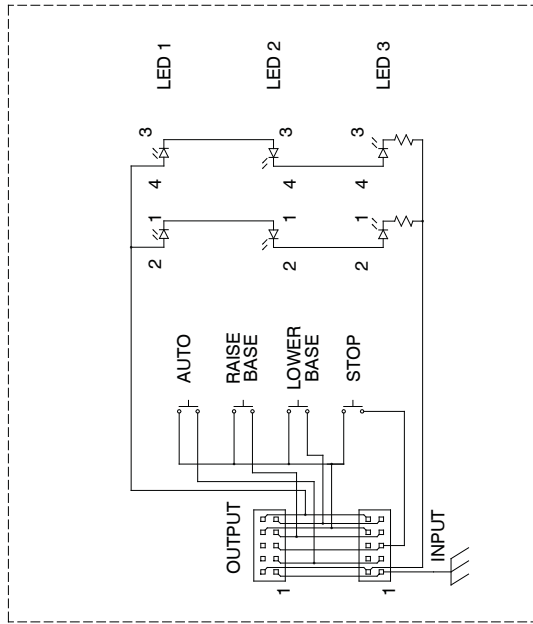
2721692 Middle Joint Screw Assembly
 Includes: Item's 5, 6, 7 & 8.

2721792 Bottom Joint Screw Assembly
 Includes: Item's 5, 6, 8 & 18

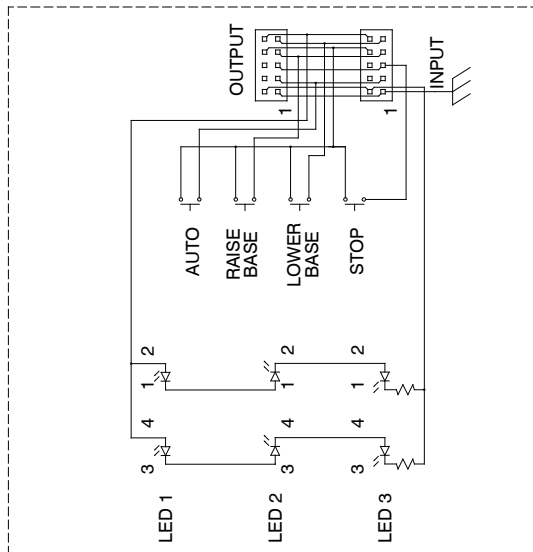
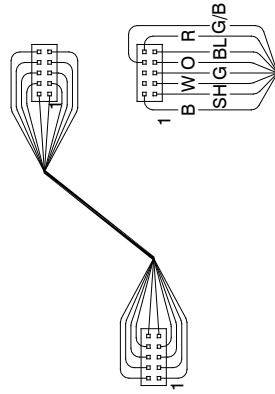
(NOTES)

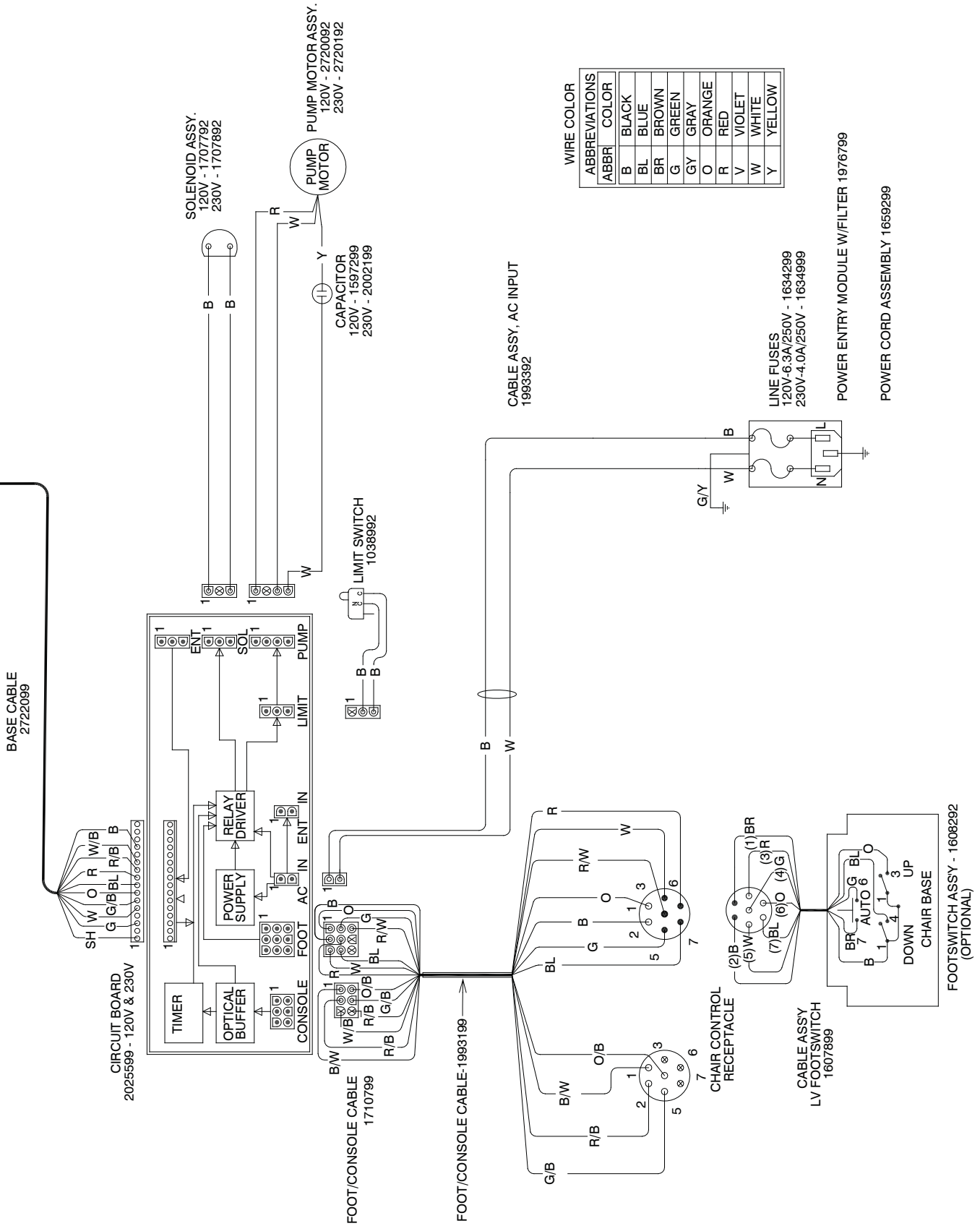
(NOTES)

**FIGURE 12
WIRING DIAGRAM**



RIBBON CABLE
STRIPE TO PIN-1 BOTH ENDS
PART # 1546299





WIRE COLOR

ABBREV	COLOR
B	BLACK
BL	BLUE
BR	BROWN
G	GREEN
GY	GRAY
O	ORANGE
R	RED
V	VIOLET
W	WHITE
Y	YELLOW

LINE FUSES
120V-6.3A/250V - 1634299
230V-4.0A/250V - 1634999

POWER ENTRY MODULE W/FILTER 1976799

POWER CORD ASSEMBLY 1659299

FOOTSWITCH ASSY - 1608292
(OPTIONAL)

(NOTES)

LIMITED WARRANTY

The Reliance® product must be used only for the purposes and in the manner described in the literature distributed with the product. The products are warranted against defective materials and workmanship for the period set forth in the warranty provided with each product. Products or parts thereof will be repaired or replaced as required at Reliance® Medical Products, Inc. Such repair or replacement shall be the sole remedy under this warranty. This warranty extends only to the original purchaser from an authorized Reliance® dealer and is subject to the following conditions:

1. The warranty card must be completed and returned to Reliance® Medical Products, Inc. within two(2) weeks from the date of installation.
2. Installation and servicing of the products must be performed by trained Reliance® equipment dealer service personnel in accordance with the appropriate instructions manual for the products.
3. The products have not sustained breakage or other type damage due to accident or misuse.
4. This warranty will not apply to Reliance® products which have had the serial number removed, altered or effaced.

EXCEPT FOR THE EXPRESS WARRANTY SET FORTH ABOVE, RELIANCE® DOES NOT GRANT ANY WARRANTIES, EITHER EXPRESS OR IMPLIED, INCLUDING IMPLIED WARRANTIES OF MERCHANTABILITY OR FITNESS FOR A PARTICULAR USE.

Reliance® Medical Products neither assumes nor authorizes any person to assume for it, any other liability in connection with the sale and use of its products.

REMEDIES ARE LIMITED EXCLUSIVELY TO REPAIR OR REPLACEMENT OF PARTS. RELIANCE® MEDICAL PRODUCTS, INC. EXPRESSLY DISCLAIMS LIABILITY FOR INCIDENTAL OR CONSEQUENTIAL DAMAGE RESULTING FROM THE USE OF THE EQUIPMENT.

Claims covered by this warranty will be honored when presented within one (1) month from discovery of a defect.



**3535 Kings Mills Road
Mason, Ohio 45040-2303
1-800-735-0357 (Customer Service)
1-800-735-0358 (Technical Service)
(513) 398-3937
[Http://www.reliance-medical.com](http://www.reliance-medical.com)**

**P/N 27148 REV C
© Copyright 2008
Printed in U.S.A.
Revised 07-2010-7383**